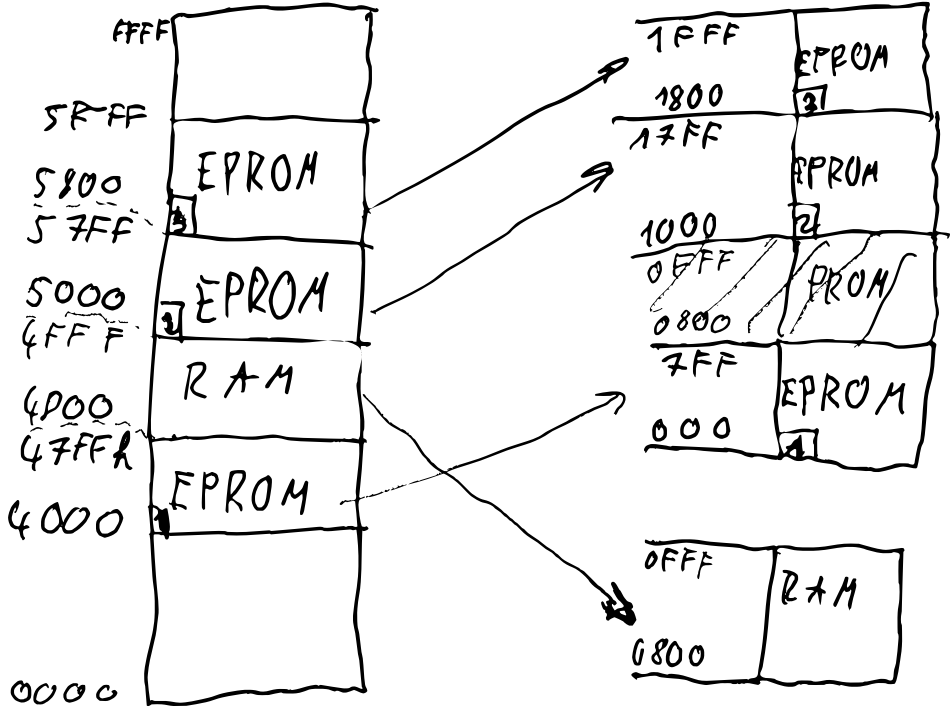


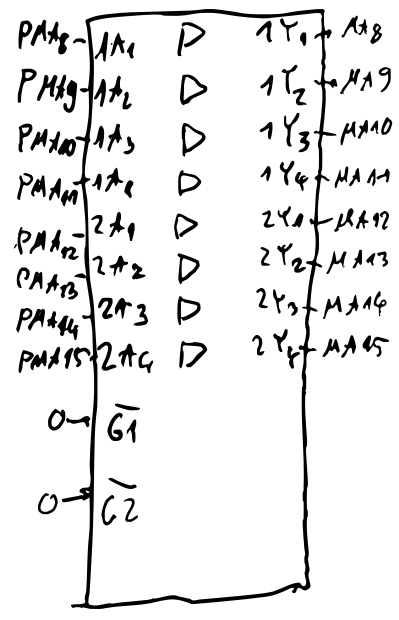
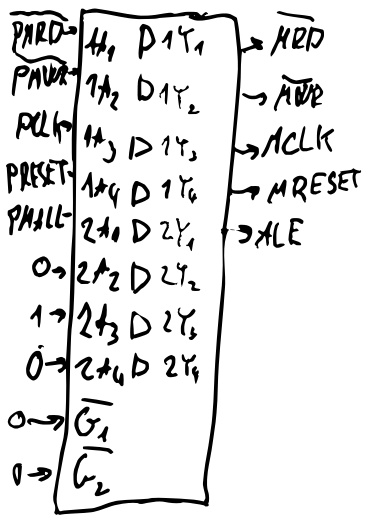
Memoria anclada

6000 - 67FFF EPROM  
 4800 - 4FFF RAM  
 5000 - 5FFF EPROM

PROC. CIA	Memoria anclada
5800 - 5FFF	1800 - 1FFF (EPROM)
5000 - 57FF	1000 - 17FF (EPROM)
4800 - 4FFF	800 - FFF (RAM)
4000 - 47FF	000 - 7FF (EPROM)

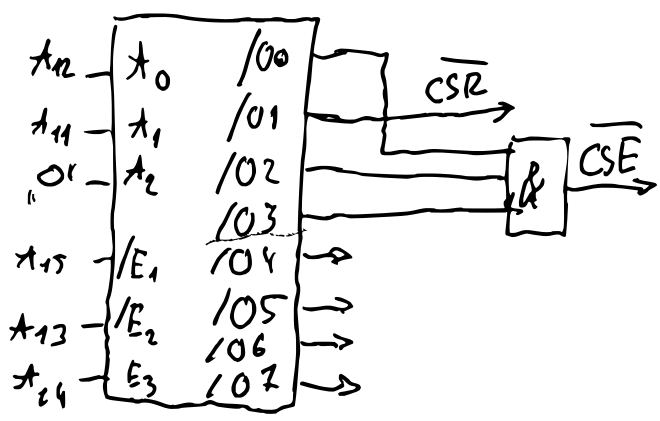


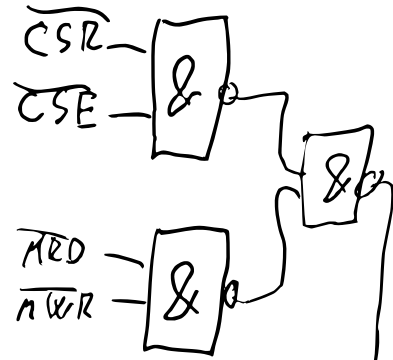
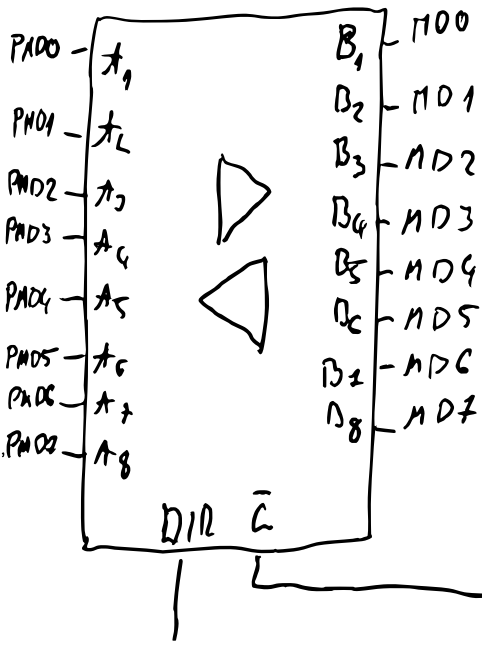
$A_{15}$	$A_{14}$	$A_{13}$	$A_{12}$	$A_{11}$	$A_{10} \dots A_0$	MEM
0	1	0	1	1	X	EPROM
0	1	0	1	0	X	EPROM
0	1	0	0	1	X	RAM
0	1	0	0	0	X	EPROM



Ein Gehirngleichwert

### Kodiercode





$\overline{MRD}$

adeterminita,  $\overline{MRD}$

